

NEW PRODUCT



BALL FLOAT STEAM TRAP G30

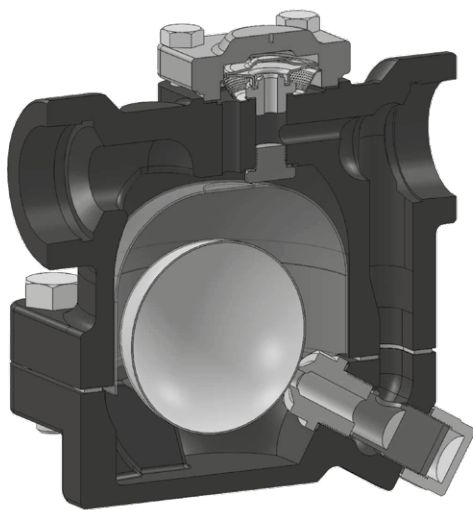
1. Cast-iron steam trap with free-floating ball for up to 1.4 t/h condensate.
2. Available connections are the sizes: 1", 1 1/4" and 1 1/2" with Rc and NPT threads. Additional connections on request.
3. The available pressure ranges (maximum differential pressure in bar) are 2, 6, 10 and 21.

FEATURES

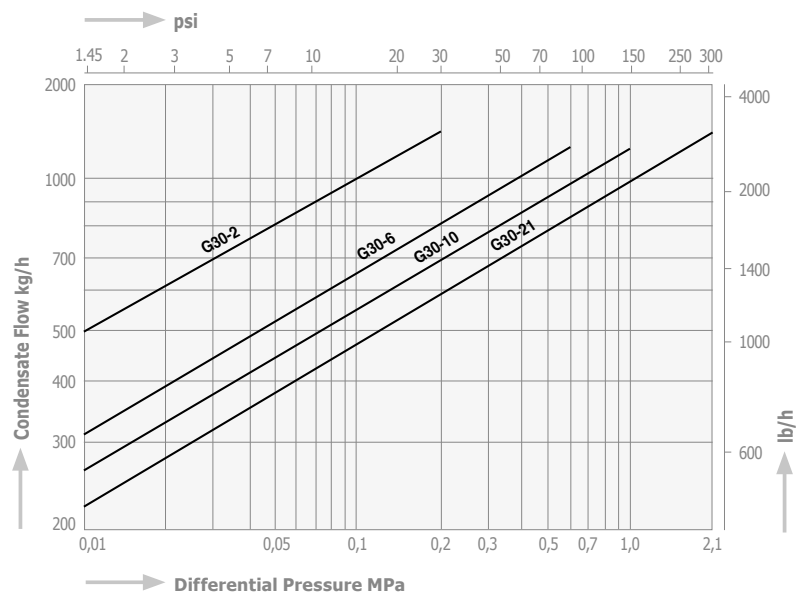
- PMA 2.1 MPa, PMO 2.1 MPa, TMA 250°C, TMO 235°C
- material: ductile cast iron (FCD450, equivalent to: GGG40.3 / 0.7043 / A536 65-45-12)
- mounting position: horizontal
- max. back pressure: 90% of working pressure
- easy access to the vent (thermostatic membrane/capsule type air vent)
- vent cannot collide with float
- internal filters
- very good tightness of the valve due to the 3-point support of the float

DIMENSIONS

CONNECTION		LENGTH (mm)	HEIGHT (mm)	WIDTH (mm)	WEIGHT (kg)
1"	Rc	155	169	118	6,5
	NPT	160			6,6
1 1/4"	Rc	160			6,5
	NPT	165			6,5
1 1/2"	Rc	160			6,3
	NPT	165			



CAPACITY CHART



MODEL	G30-2	G30-6	G30-10	G30-21
PMO	0,2 MPa	0,6 MPa	1 MPa	2,1 MPa

For more technical details, please visit our website or contact us.